



The Peyote Starter Strip is a handy tool to start a Peyote Tapestry project with Miyuki Delicas. It can start a Peyote Tapestry up to 90 columns.

Before it can be used as a Peyote Starter Strip, you have to bead 4 rows of Peyote. These rows will be connected to the rigid plastic tool. This way it is much easier to handle.

Follow this tutorial to make your own Peyote Starter Strip.



Use two colors Miyuki Delica 11/0. One base color and one contrasting color. We recommend to not use black or too dark, this is less visible and harder to work with. We also recommend to not use fragile coatings.

You need about 1 gram of your base color and 36 beads of the contrasting color. The contrasting beads indicate each fifth column and will help you to keep track of the pattern.

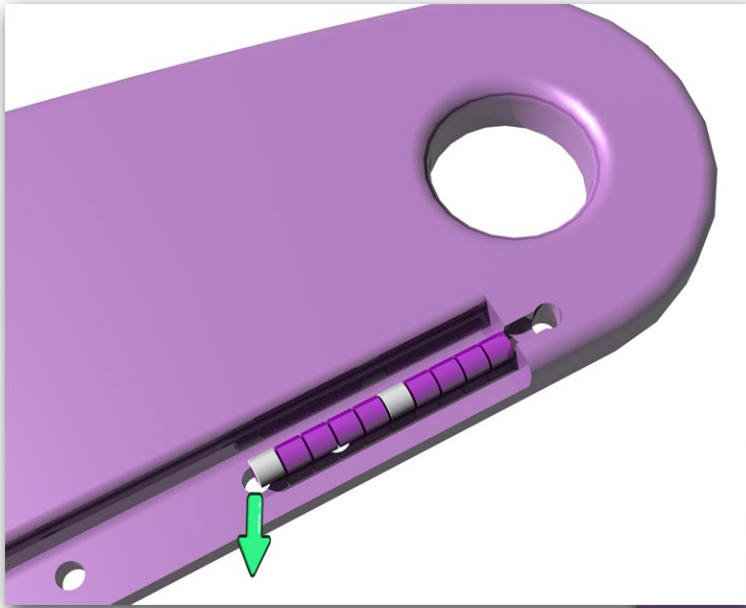
1. Start with making a knot around a bead.
2. Go through the first rightmost hole from the bottom of the tool.



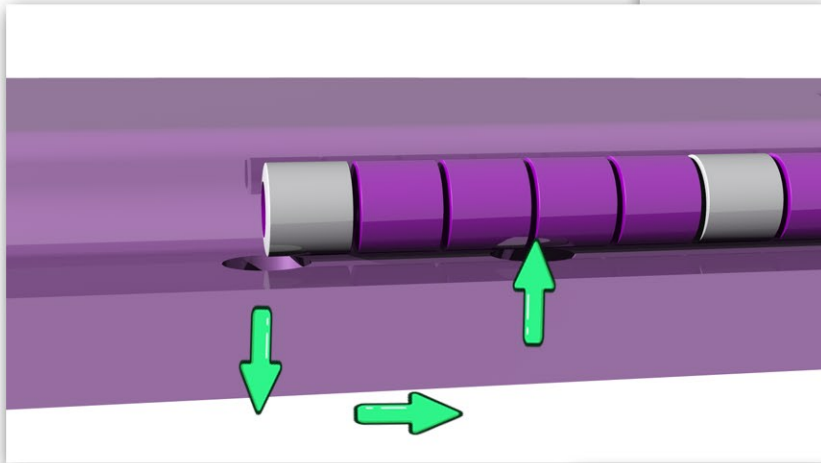
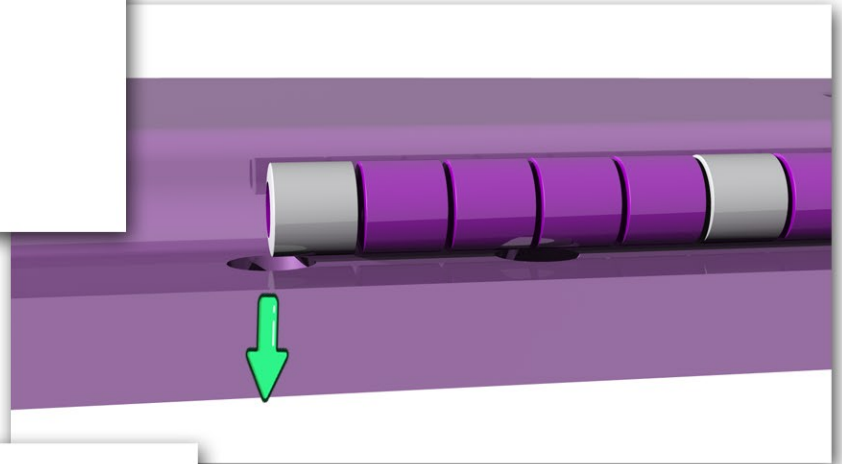
The thread is now secured to the tool.



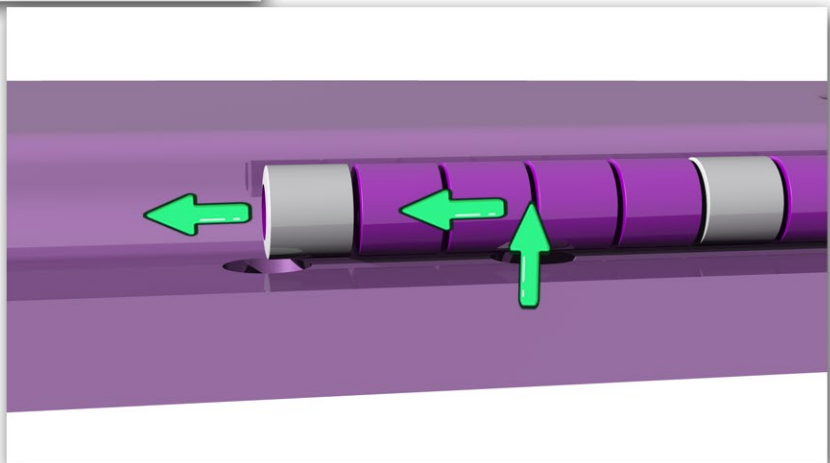
3. Pick up 4 x Base Color (BC), 1 x Contrasting Color (CC), 4 x BC and 1 x CC.



4. Take the needle down through the second hole in the tool.



5. Go back and go up through the first hole between the 4 BC.

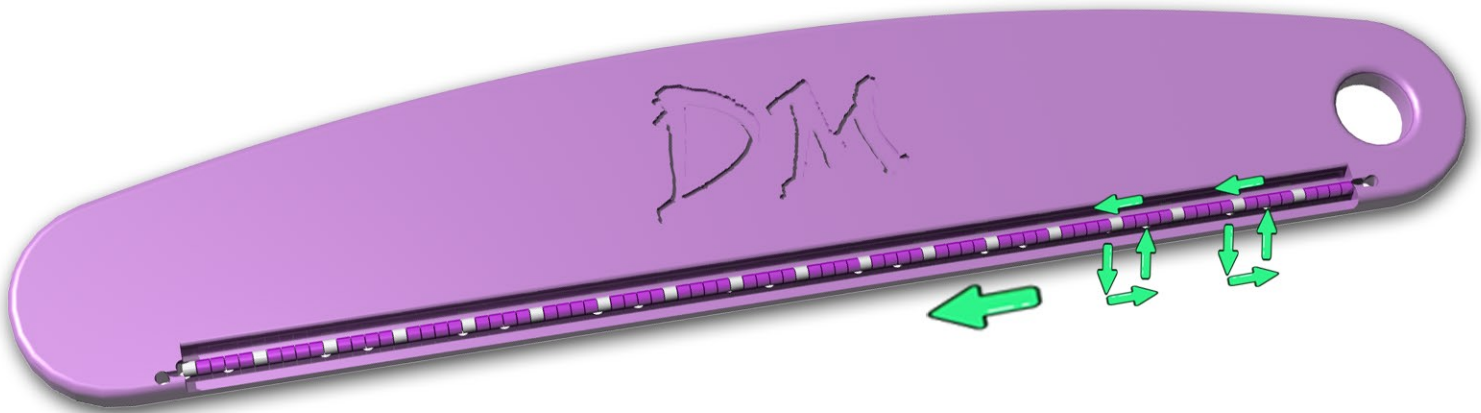


6. Pass through the last 3 beads (2 BC & 1 CC). It is recommended to use medium tension. A loose first row will result in a uneven strip. Too much tension creates the risk of breaking beads.

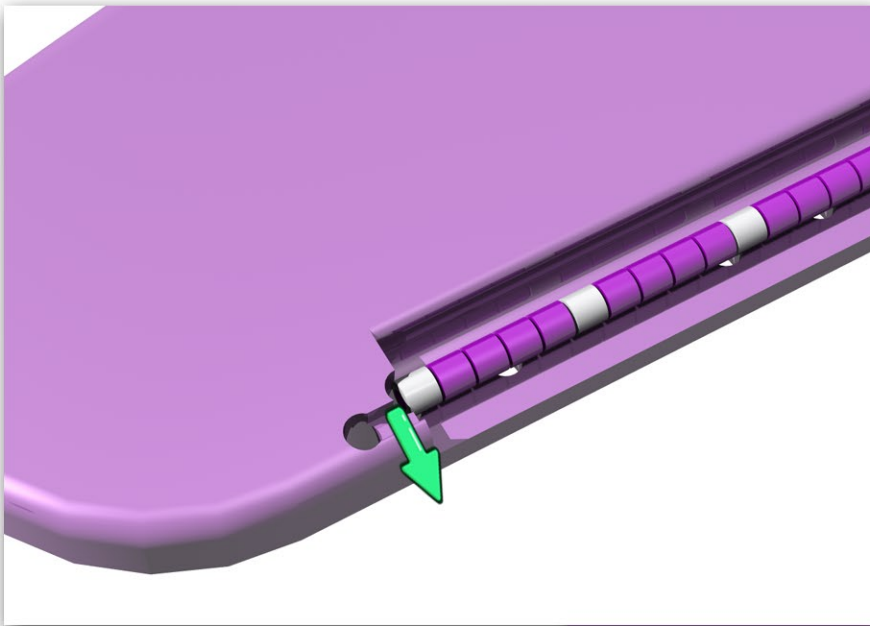
The 10 beads are now attached to the tool.



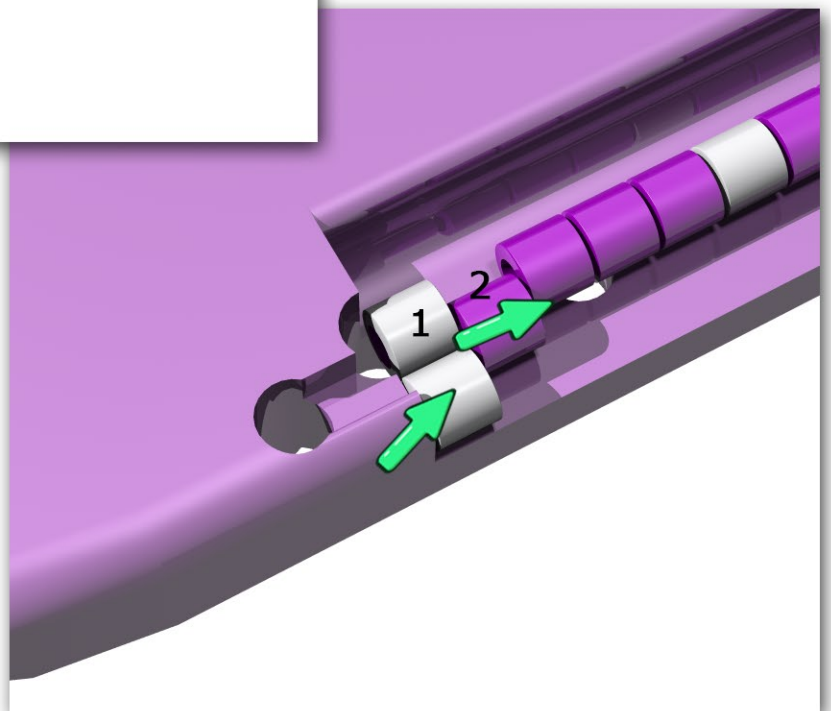
7. Repeat this loop (step 3 to 6) another 8 times.
There should now be 90 beads connected to the Tool.



8. After the last loop, pick up 1 x CC and turn around.

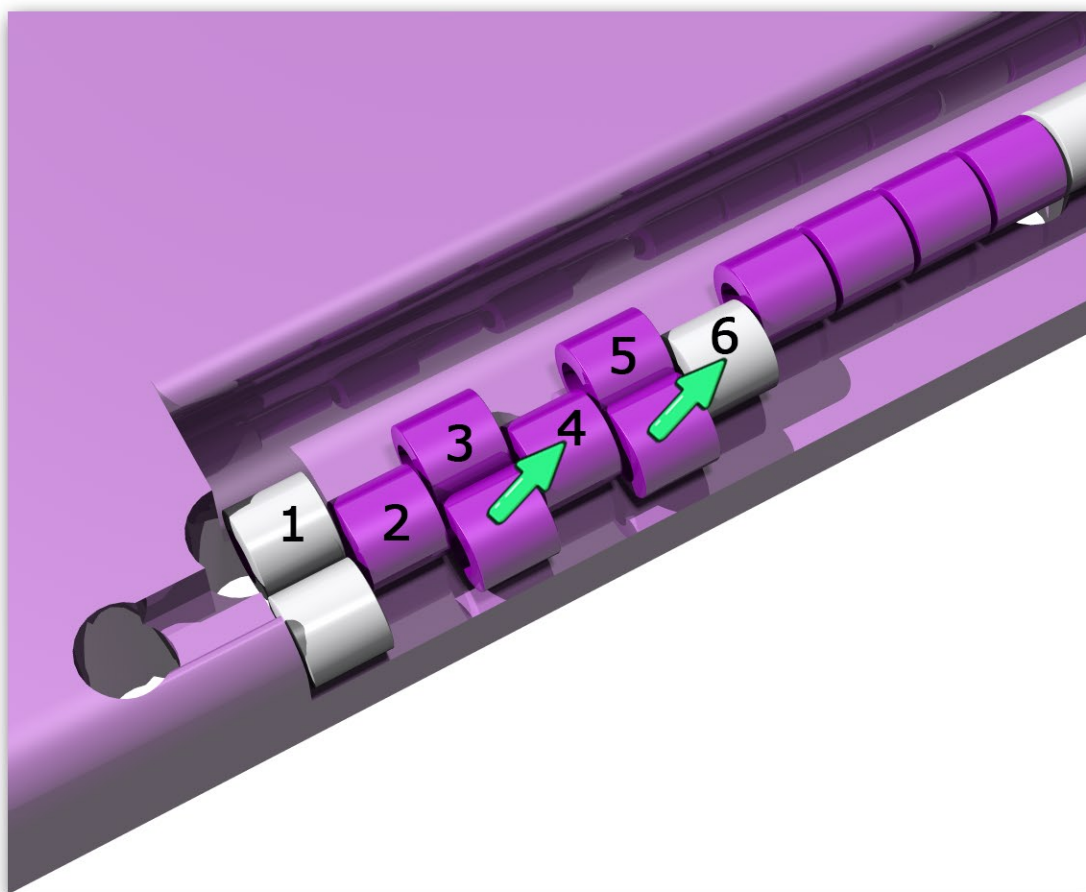


9. Pass through the second bead.

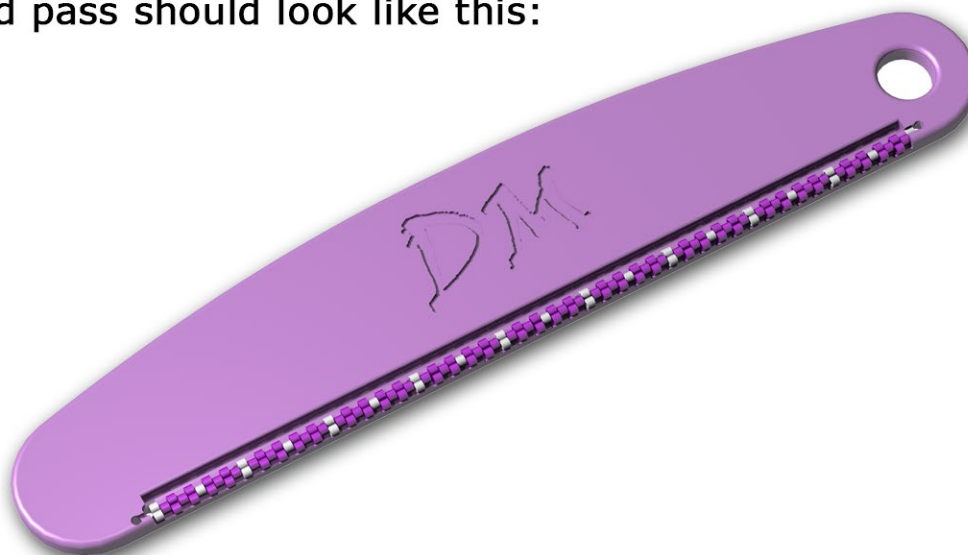




10. Pick up 1 x BC, skip one bead (3) and pass through 4th bead. The beads on the string will be pulled forward and will create a Peyote form.
11. Repeat this until the other side of the tool doing Peyote stitch. Be sure to add the CC beads to make the 5th column marker.



The second pass should look like this:



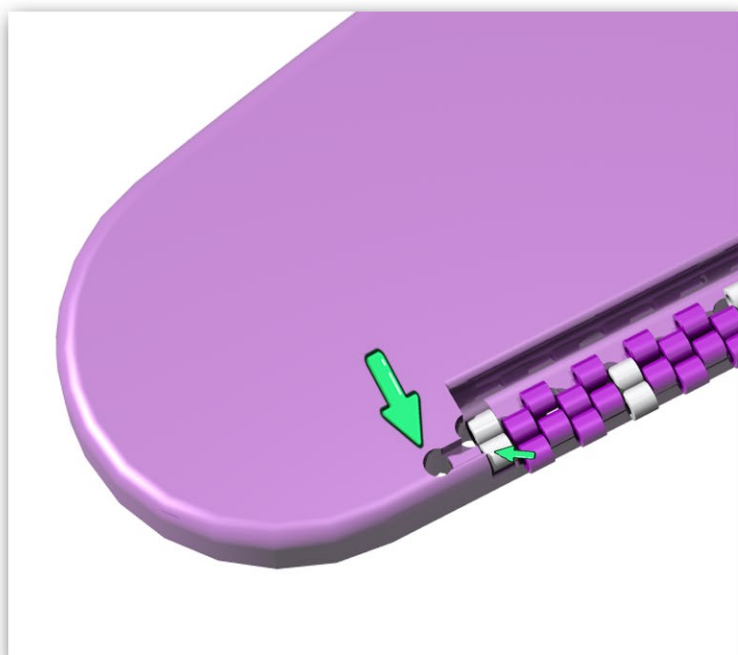


11. Turn around and do another row of Peyote Stitch.

This row of beads will stick out of the tool and will give a nice rigid row to start a Peyote Tapestry.



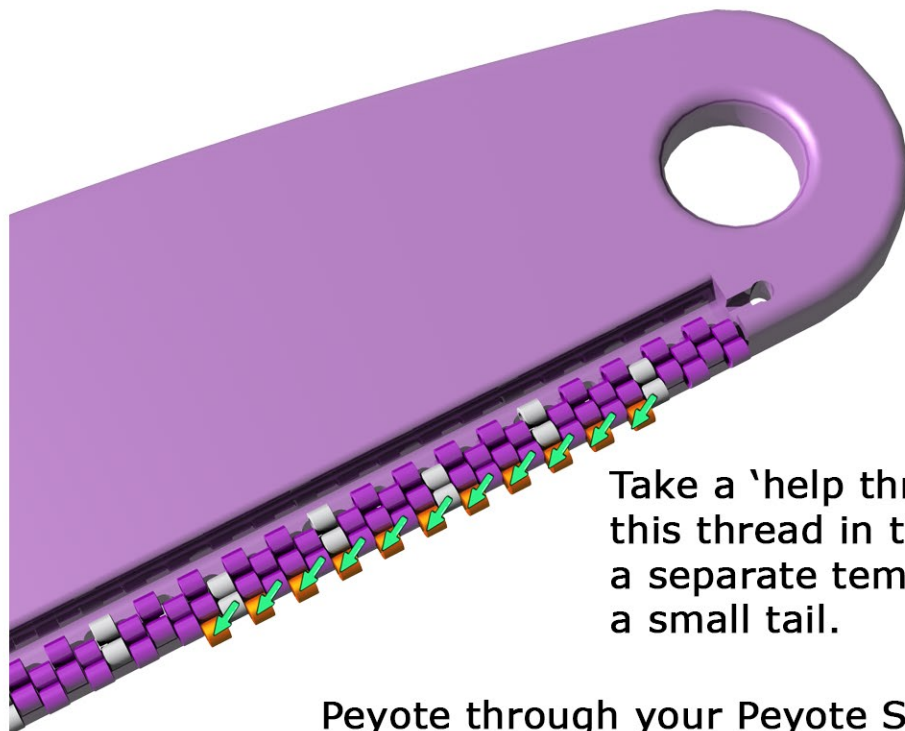
12. After picking up the last BC bead, pass through the CC bead and the second hole on the left of the tool. Go back up through the first hole and pass through the bottom CC bead. End the thread by going back and forth through your beadwork.



***Your Peyote Starter Strip
 is now ready to use***



13. How to use a Peyote Starter Strip:

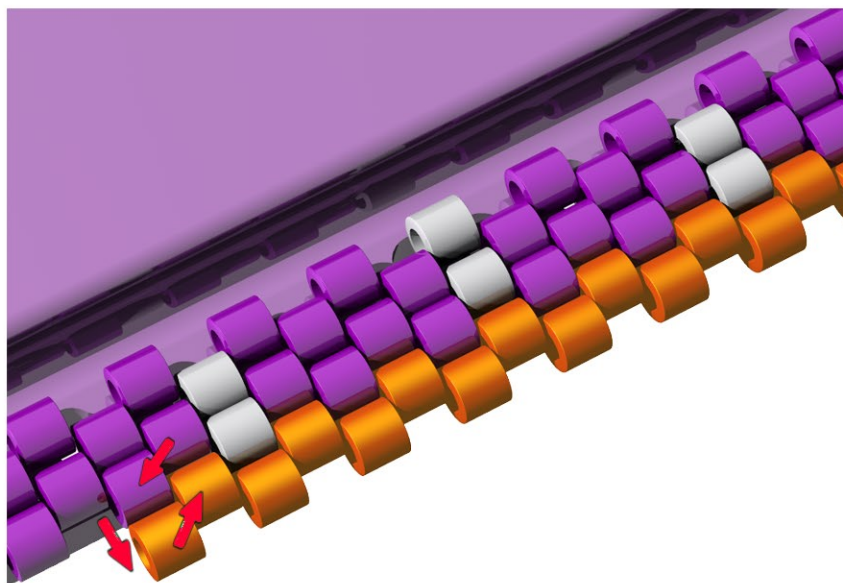


Take a 'help thread' (you will not use this thread in the final piece, it's a separate temporary thread) and leave a small tail.

Peyote through your Peyote Starter Strip and use the number of columns that your pattern calls for.

For the second row: take a new thread (this is the 'real thread' that you will be continuing with) and leave a tail.

Depending on whether you are doing even or uneven Peyote: go through a few beads on the Peyote Starter Strip to reach the right position to start the second row.



Peyote your pattern until you have reached about 4 or 5 rows (or more): whatever you feel is enough to hold on to.

Pull the 'help thread' out of the beads and your Peyote piece will come right off the Peyote Starter Strip.

It's now ready to continue with your Peyote Tapestry!

You can reuse your 'help thread' for the next Peyote Tapestry.

Happy Beading!